



## FILTRATION SPECIFICATIONS

### Filter: Model 6 Basket Strainers and Bag Filters

Model 6 strainer/filter housings are made in 2 sizes and 2 pressure ratings and can serve as basket strainers or bag filters. In all cases, covers are easily removed without special tools and the basket or bag is easily cleaned or replaced.

#### FEATURES

- Low Pressure Drops
- Covers are O-Ring Sealed
- Carbon Steel or Stainless Steel (304 or 316) Construction
- Housings are Electropolished to Resist Adhesion of Dirt and Scale
- Adjustable-Height Legs, Standard
- O-Ring Seals: Buna N, EPR, Fluoroelastomer, PTFE
- ASME Code Stamp Available
- Two Pressure Ratings: 125 or 150 PSI
- Two Basket Depths: 18 or 30 Inches (Nominal)

#### OPTIONS

- Duplex Units Available
- Special Alloys
- Sanitary Construction
- Different Outlet Connections
- Higher Pressure Ratings
- Extra-Length Legs
- Heat Jacketing
- Liquid Displacers for Easier Servicing





FILTRATION SPECIFICATIONS

Filter: Model 6 Basket Strainers and Bag Filters

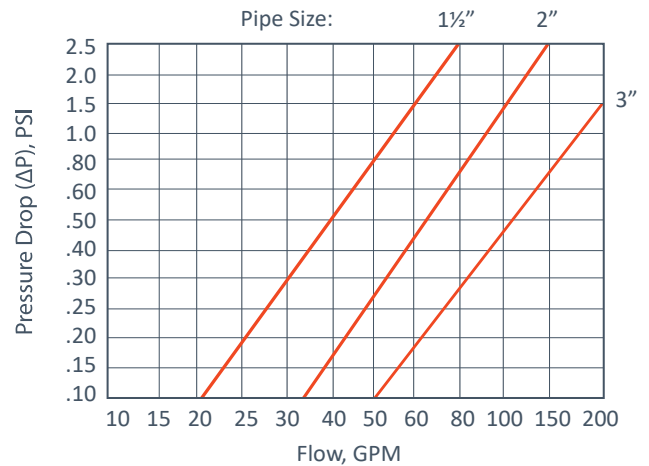
PRESSURE DROP DATA

Basket strainers and bag filters are usually selected so that the pressure drop does not exceed 2 psi when they are clean. Higher pressure drops may be tolerated when contaminant loading is low. Bag change-out should occur at 15 psid.

The pressure drop data is determined by the steps below:

FOLLOW THESE EASY STEPS:

- 1. Using the desired pipe size and approximate flow rate, determine the pressure drop from the appropriate graph.
2. Multiply the pressure drop obtained in step 1 by the viscosity correction factor found in the accompanying table. This is the adjusted pressure drop for all baskets, without filter bags.
3. Add the pressure drop for the bag filter housing.



\*Based on housing only. Fluid viscosity, bag filter used, and expected dirt loading should be considered when sizing a filter.

Table with columns: BAG STYLE, VISCOSITY, CPS (1 (H2O), 50, 100, 200, 400, 600, 800, 1000, 2000) and rows for different mesh types (ALL UNLINED BASKETS, 40-MESH LINED, 60-MESH LINED, 80-MESH LINED, 100-MESH LINED, 200-MESH LINED).



Filter bags are specified and sold separately.

Model 6-18 accepts bag size #8

Model 6-30 accepts bag size #9

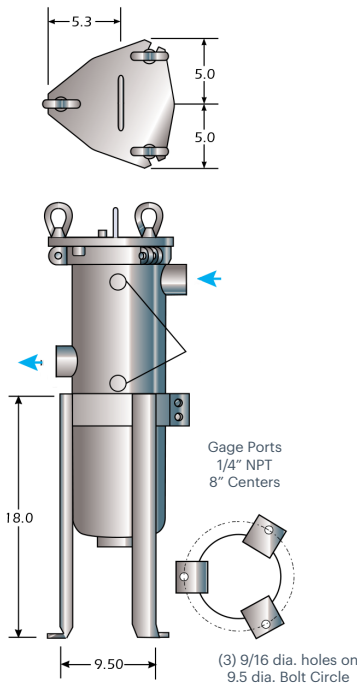
Eyenuit covers with bag filter and basket or basket strainer.



Model 6 - Dimensions

**COVER TYPES**

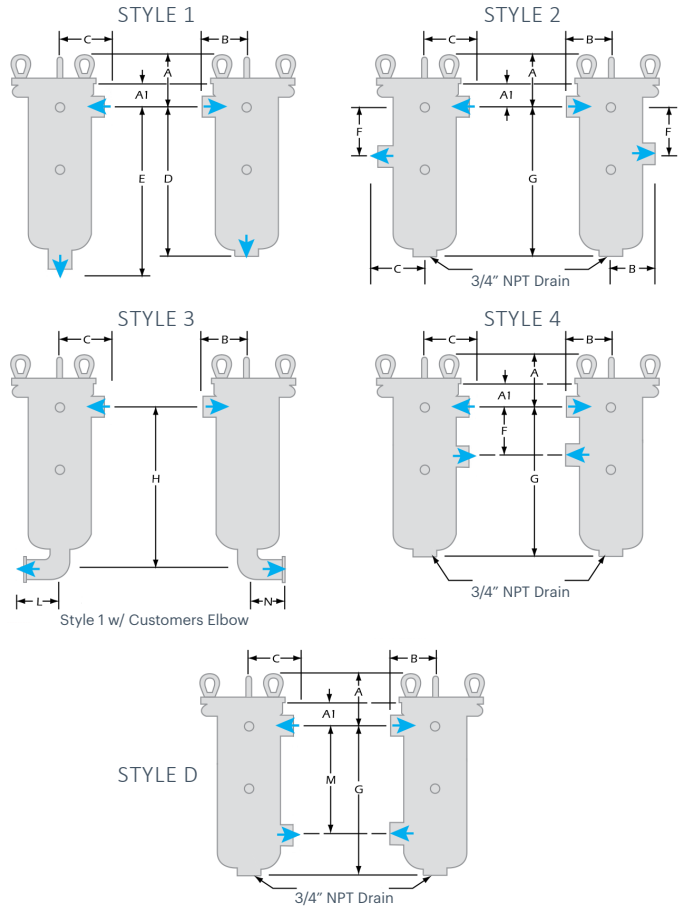
Eyeout  
Cover



A clearance distance equal to the basket depth must be available above the housing for basket removal.

**OUTLET STYLES**

Threaded NPT  
Connections



Model	Pipe Size	A	A1	B	C	D	E	F	G	H	L	M	N
6-18	1	7.6	3.9	4.3	6.0	21.8	24.3	4.3	22.7	23.3	5.0	15.0	2.5
	1 ¼	7.6	3.9	4.3	6.0	21.8	24.3	4.7	22.7	23.7	5.0	15.0	2.9
	1 ½	7.6	3.9	4.3	6.0	21.8	24.3	4.7	22.7	24.0	5.0	15.0	3.3
	2	7.6	3.9	4.3	6.0	21.8	24.3	6.6	21.8	23.8	5.0	15.0	4.0
	3	7.9	4.1	4.3	6.0	23.0	25.1	6.6	22.5	26.0	7.3	17.0	6.1
6-30	1	7.6	3.9	4.3	6.0	32.8	34.3	4.3	32.7	33.3	5.0	15.0	2.5
	1 ¼	7.6	3.9	4.3	6.0	32.8	34.3	4.7	32.7	33.7	5.0	15.0	2.9
	1 ½	7.6	3.9	4.3	6.0	32.8	34.3	4.7	32.7	34.0	5.0	15.0	3.3
	2	7.6	3.9	4.3	6.0	32.8	34.3	6.6	31.8	33.8	5.0	15.0	4.0
	3	7.9	4.1	4.3	6.0	33.0	35.1	6.6	32.5	36.0	7.3	17.0	6.1

Dimensions are for reference only and should not be used for hard plumbing. Request a drawing from [filters@rosedaleproducts.com](mailto:filters@rosedaleproducts.com)



## Model 6 Housing Code - How to Order

CONFIGURE YOUR PART NUMBER (EXAMPLE: 6-30-2P-1-150-C-B-S-M20-D-C)

**A**

MODEL NUMBER

**B**

HOUSING SIZE

**C**

PIPE SIZE

**D**

OUTLET STYLE

**E**

PRESSURE RATING

**F**

HOUSING MATERIAL

**G**

COVER SEAL

**H**

BASKET SEAL

**I**

BASKET TYPE

**J**

BASKET, MEDIA SIZE

**K**

DISPLACER

**L**

ASME CODE STAMP

A	MODEL NUMBER	CODE
	EYENUT COVER	6
	CLAMP COVER	LCO6

B	HOUSING SIZE	CODE
	18 INCH	18
	30 INCH	30

C	PIPE SIZE, NPT AND FLANGED <sup>1</sup>	CODE
	1½ IN. FEMALE NPT	1½P
	2 IN. FEMALE NPT	2P
	3 IN. FEMALE NPT (150 PSI UNIT ONLY)	3P

D	OUTLET STYLE	CODE
	BOTTOM	1
	SIDE HIGH	2
	BOTTOM ELBOW	3
	SAME SIDE HIGH	4
	SAME SIDE LOW	D

E	PRESSURE RATING <sup>1</sup>	CODE
	125 PSI (CLAMP COVER)	125
	150 PSI	150

F	HOUSING MATERIAL	CODE
	CARBON STEEL	C
	304 STAINLESS STEEL	S
	316 STAINLESS STEEL	S316

G	COVER SEAL	CODE
	BUNA N	B
	ETHYLENE PROPYLENE	E
	FLUOROELASTOMER	V
	FEP/PFA (EYENUT COVER)	TEV
	PTFE (SOLID WHITE) (EYENUT COVER)	TSW

H	BASKET SEAL	CODE
	NO SEAL	N
	SEAL REQUIRED (MESH BASKETS)	S

I	BASKET TYPE	CODE
	FILTER BAG BASKET, 9/64 PERFORATIONS <sup>2</sup>	PB
	STRAINER BASKET, PERFORATED METAL	P
	FILTER BAG BASKET, PERFORATED, MESH LINED <sup>2</sup>	BM
	STRAINER BASKET, PERFORATED, MESH LINED	M
	FILTER BAG BASKET, HEAVY WIRE MESH <sup>2</sup>	HWM

J	BASKET, MEDIA SIZE	CODE	
	NO SYMBOL FOR PB BASKET		
	PERFORATION DIAMETERS (P BASKETS)	PERF SIZES	MESH SIZES
		1/4	20
	MESH SIZES (M AND BM BASKETS)	3/16	40
		9/64	60
		3/32	80
		1/16	100
			200

K	DISPLACER	CODE
	DISPLACER	D

L	ASME CODE STAMP	CODE
	CODE STAMP	C

1. Higher pressure ratings and alternative connections available. Consult factory.
2. Filter bags are specified separately.