



FREE FLOAT[®] STEAM TRAP

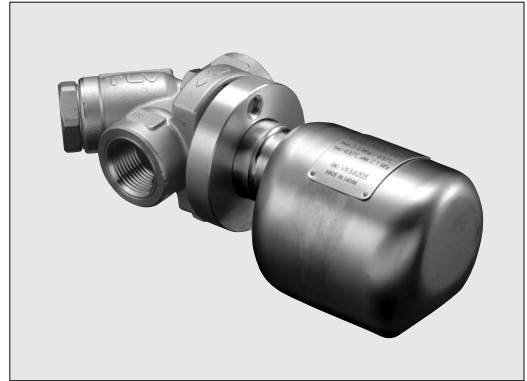
MODEL FS3 QuickTrap[®] STAINLESS STEEL

UNIVERSAL FREE FLOAT STEAM TRAP WITH THERMOSTATIC AIR VENTING

Features

Inline replaceable 2-bolt universal flange steam trap for steam mains, tracers and light processes.

1. Two-bolt flange connector permits trap replacement in minutes without disturbing piping.
2. Universal flange allows trap to be positioned in the correct attitude, regardless of pipeline configuration.
3. Precision-ground float, constant water seal and three-point seating design ensure a steam tight seal, even under no-load conditions.
4. Thermostatic air venting with bimetal strip allows for fast start-up.
5. One screen located in connector and one in trap ensure trouble-free operation.



Pressure Equipment Directive (PED)

Classification according to PED 2014/68/EU, fluid group 2

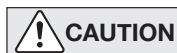
Size	Category	CE marking
DN 15 to 25	—*	Art. 4, Sec. 3 (sound engineering practice), CE marking not allowed

* Manufactured in accordance with sound engineering practice

Specifications

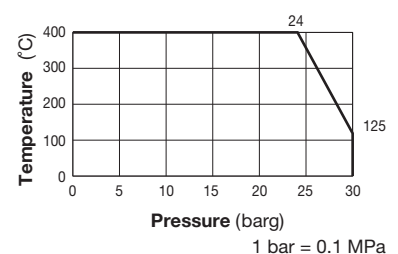
Model	FS3		
	Screwed	Socket Welded	Flanged
Connection			
Size	1/2", 3/4", 1"	DN 15, 20, 25	
Orifice No.		5, 10, 21	
Max. Operating Pressure (barg)	PMO	5, 10, 21	
Max. Differential Pressure (bar)	ΔPMX	5, 10, 21	
Max. Operating Temperature (°C)	TMO	400	
Connector Unit		F46	
Trap Unit		S3*	

* Designed for use with F46, F32 Connector Units and V1/V2 Trap Stations. Trap and Connector Units sent as separate units for flexible installation.

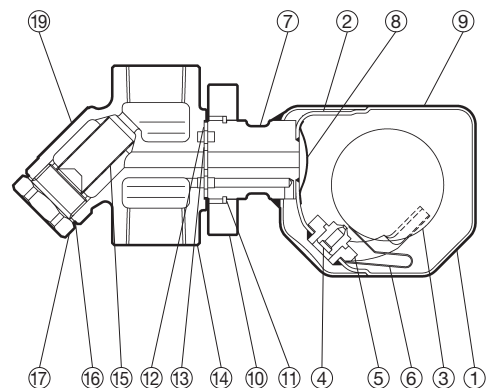


To avoid abnormal operation, accidents or serious injury, DO NOT use this product outside of the specification range. Local regulations may restrict the use of this product to below the conditions quoted.

Max. Allowable Press./Temp. (PMA/TMA)
Pressure Shell Design Conditions
(NOT Operating Conditions)



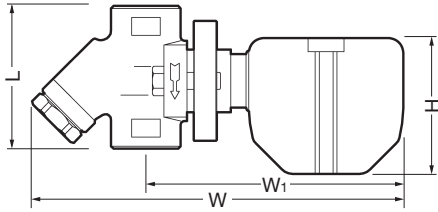
No.	Description	Material	DIN*	ASTM/AISI*
①	Trap Body	Stainless Steel A240 Type 316L	1.4404	—
② ^T	Inner Cover	Stainless Steel A240 Type 316L	1.4404	—
③ ^T	Float	Stainless Steel SUS316L	1.4404	AISI316L
④ ^T	Orifice	—	—	—
⑤ ^T	Float Guide	Cast Stainl. Steel A351 Gr.CF3M	1.4435	—
⑥ ^T	Air Vent Strip	Bimetal	—	—
⑦ ^T	Connector Joint	Stainless Steel SUS304	1.4301	AISI304
⑧ ^T	Trap Screen	Stainless Steel SUS304	1.4301	AISI304
⑨ ^T	Nameplate	Stainless Steel SUS304	1.4301	AISI304
⑩ ^T	Connector Flange	Carbon Steel A105	1.0460	—
⑪ ^T	Snap Ring	Carbon Steel SWRH57	1.0535	AISI1055
⑫ ^{MT}	Outer Connector Gasket	Graphite/Stainl. Steel SUS304	-/1.4301	-/AISI304
⑬ ^{MT}	Inner Connector Gasket	Graphite/Stainl. Steel SUS304	-/1.4301	-/AISI304
⑭	Connector Body	Cast Stainl. Steel A351 Gr.CF8	1.4312	—
⑮	Screen inside/outside	Stainless Steel SUS304/430	1.4301/1.4016	AISI304/430
⑯ ^M	Screen Holder Gasket	Stainless Steel SUS316L	1.4404	AISI316L
⑰	Screen Holder	Cast Stainl. Steel A351 Gr.CF8	1.4312	—
⑱ ^T	Connector Bolt**	Alloy Steel SNB7	1.7225	A193 Gr.B7
⑲	Connector Nameplate	Stainless Steel SUS304	1.4301	AISI304
⑳	Flange***	Cast Stainl. Steel A351 Gr.CF8/ Stainless Steel SUS304	1.4312/ 1.4301	-/AISI304



* Equivalent materials ** Shown on reverse
*** Shown on reverse, shape and material depend on flange specifications
Replacement kits available: (M) maintenance parts, (T) trap unit S3
Replacement parts for former connector body F32 differ from those for F46.

Dimensions

● **FS3**
Screwed

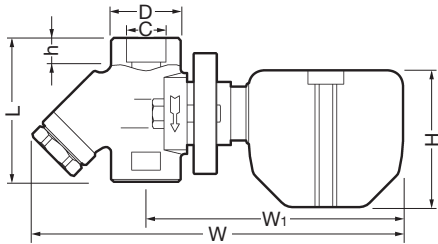


FS3 Screwed* (mm)

Size	L	φH	W	W ₁	Weight (kg)
1/2"	80	77	204	140	1.7
3/4"					
1"	96		206	144	2.0

* BSP DIN 2999, other standards available

● **FS3**
Socket Welded

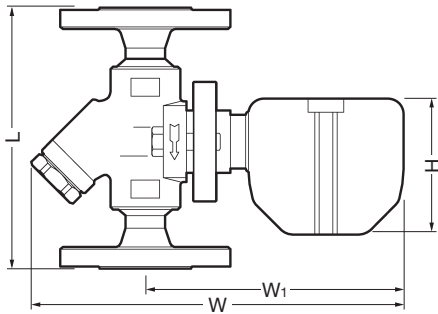


FS3 Socket Welded* (mm)

DN	L	φH	W	W ₁	φD	φC	h	Weight (kg)
15	80	77	204	140	36	21.8	12	1.7
20							14	
25	96		206	144	44	33.9		2.0

* ASME B16.11-2005, other standards available

● **FS3**
Flanged

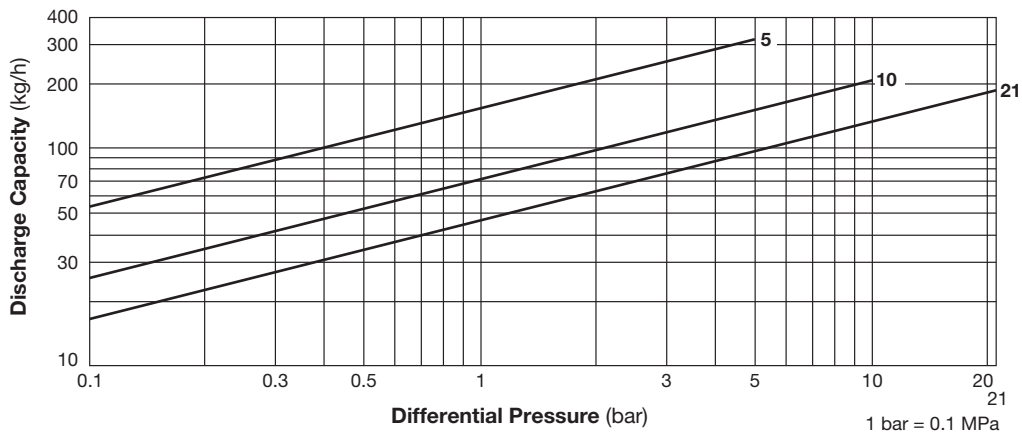


FS3 Flanged (mm)

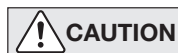
DN	L			φH	W	W ₁	Weight * (kg)
	DIN 2501	ASME Class					
	PN25/40	150RF	300RF				
15	150	150	150	77	205	140	3.3
20							4.2
25							4.7

Other standards available, but length and weight may vary
* Weight is for DIN PN 25/40

Discharge Capacity



1. Line numbers within the graph refer to orifice numbers.
2. Differential pressure is the difference between the inlet and outlet pressure of the trap.
3. Capacities are based on continuous discharge of condensate 6 °C below saturated steam temperature.
4. Recommended safety factor: at least 1.5.



CAUTION DO NOT use this product under conditions that exceed maximum differential pressure as condensate backup will occur!

Manufacturer
TLV CO., LTD.
Kakogawa, Japan
is approved by LRQA Ltd. to ISO 9001/14001

